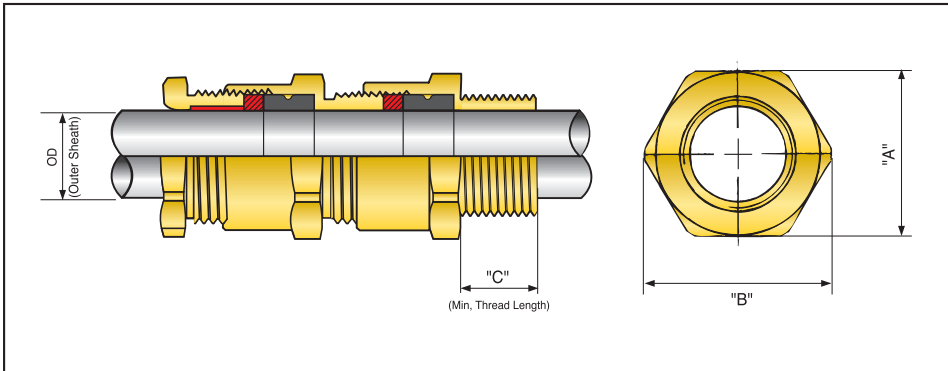


SS2K CABLE GLAND

- Type of Cable Gland : SS2K
- Cable Type : Unarmoured.
- Sealing Area : Cable Outer Sheath - Double Compression.
- Indoor and Outdoor use / Dual certified Ex 'd' & Ex 'e'
- Operating Temperature : -60°C to +100°C as standard.
- Materials : Brass, Brass with nickel plated, Aluminum and Stainless Steel 316
- According to BS, IEC & CENELEC suitable for use in Zone1, Zone2, Zone21 and Zone22, Gas Groups, IIA, IIB and IIC.
- Ingress Protection : IP66/IP67
- Certificate No : Baseefa08ATEX0011X & IECEx BAS08.0003X
Sira 11ATEX1061X & IECEx SIR 11.0035X



Cable Gland Size	Part No	Entry Thread Size			Cable Acceptance Details (Outer Sheath 'OD')				Hexagon Dimensions		Min. Thread Length "c"		Length (approx)
		Standard		Option	Standard Seal		Alternative Seal(S)		Across Flats "A"	Across Corners "B"	Metric (optional)	NPT	
		Metric	NPT	NPT	Min.	Max.	Min.	Max.					
SS2K-M16a	D-16a	M16	-	-	3.0	6.0	-	-	22	24.5	15(20)	-	30
SS2K-M16b	D-16b		6.1	10.0	4.0	8.0	15(20)						
SS2K-M20a	D-20a	M20	1/2"	3/4"	3.0	6.0	-	-	24	26.8	15(20)	20	30
SS2K-M20b	D-20b		6.1	10.0	4.0	8.0	15(20)						
SS2K-M20c	D-20c	M20	1/2"	3/4"	10.1	15.0	8.5	13.0	27	30	15(20)	20	32
SS2K-M25	D-25	M25	3/4"	1"	12.0	18.0	10.0	15.0	32	35.5	15(20)	20	35
SS2K-M25a	D-25a	M25			16.0	20.5	-	-					
SS2K-M32a	D-32a	M32	1"	1 1/4"	18.1	23.0	16.0	21.0	39	43.5	15(20)	25	36
SS2K-M32b	D-32b				21.0	26.0	20.0	24.0					
SS2K-M40	D-40	M40	1 1/4"	1 1/2"	26.1	32.0	22.0	28.0	48	53.5	15(20)	25.6	39
SS2K-M50	D-50	M50	1 1/2"	2"	32.1	40.0	28.0	35.0	58	64	15(20)	26	42
SS2K-M63a	D-63a	M63	2"	2 1/2"	40.1	47.0	37.0	44.0	73	81	15(20)	27	44
SS2K-M63b	D-63b				47.1	54.0	43.0	50.0			15(20)		
SS2K-M75	D-75	M75	2 1/2"	3"	55.1	65.0	50.0	58.0	85	94	15(20)	40	47
SS2K-M80	D-80	M80	3"	3 1/2"	65.1	71.5	61.0	67.0	100	109.5	20(25)	41.5	56
SS2K-M90	D-90	M90	3"	3 1/2"	70.0	77.6	67.0	73.0	105	113.5	20(25)	41.5	56
SS2K-M100a	D-100a	M100	4"	-	73.5	86.0	-	-	122	135	20(25)	44	-
SS2K-M100b	D-100b				80.0	92.0	-	-					
SS2K-M115a	D-115a	M115	-	-	86.0	98.0	-	-	138	152	20(25)	-	-
SS2K-M115b	D-115b				92.0	102.0	-	-					
SS2K-M130a	D-130a	M130	-	-	97.0	110.0	-	-	154	168	20(25)	-	-
SS2K-M130b	D-130b				104.0	116.0	-	-					

(*) PF Threads are available (KOSHA Ex-proof certificated).

Accessories

Lock-Nut, Sealing washer, Serrated washer, Earth Tag and PVC Shroud - see page A40

How to order

SS2K-20c-1/2NPT

- Entry Thread Size(metric or NPT)
- Cable Gland Type & Size