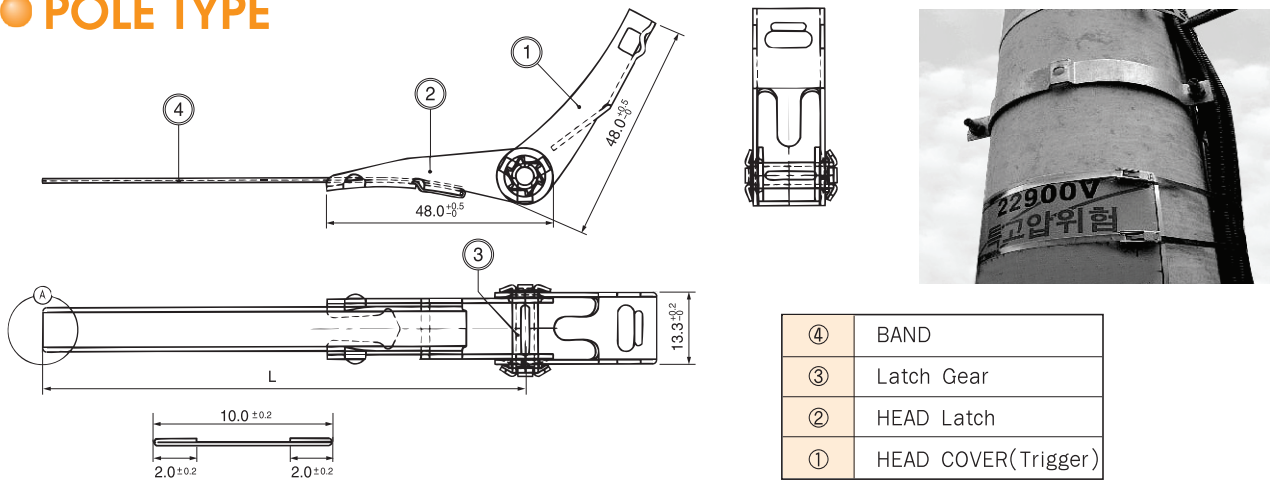


# STAINLESS STEEL BAND

## STAINLESS STEEL BANDS

### POLE TYPE

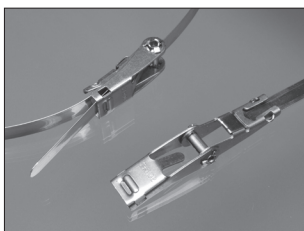


④	BAND
③	Latch Gear
②	HEAD Latch
①	HEAD COVER(Trigger)

- Material : Stainless Steel 304.  
Stainless Steel 316 is available when superior corrosion resistance is required.

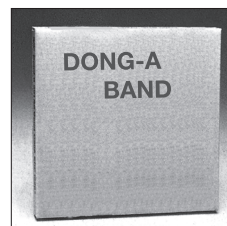
PART NO.	Length(mm)	Band Width(mm)	Remarks
PST-500	500	10.0mm	Customized lengths are also available on request.
PST-650	650		
PST-900	900		
PST-1200	1200		
PST-1300	1300		
PST-1500	1500		

### LOCK HEAD



PART NO.
PLH-10

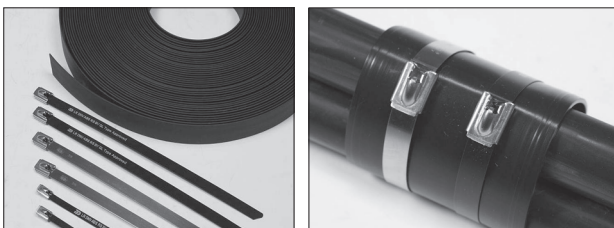
### BANDINGS



PART NO.
PST-B-10

Length : 50m

### RUBBER STRIP



- Material : PVC, UV

PART NO.	Color	Thickness	Length (M)	Width (mm)
DARS-20	Black	1.7	20	20
DARS-30	Black	1.7	20	30
DARS-60	Black	1.7	20	60