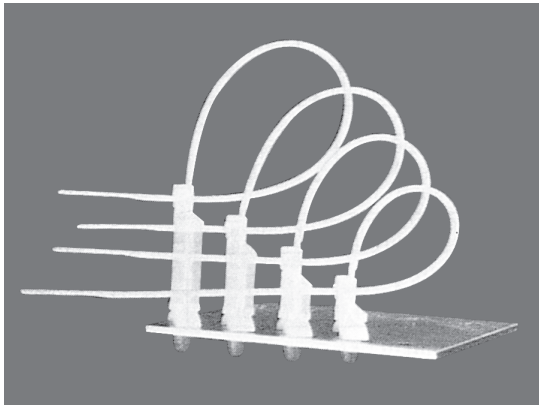


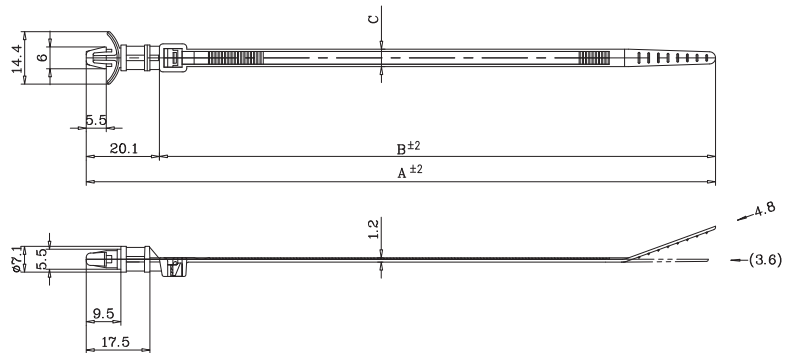
# CABLE TIE TOOL

## ● P/M SUPPORT TIE

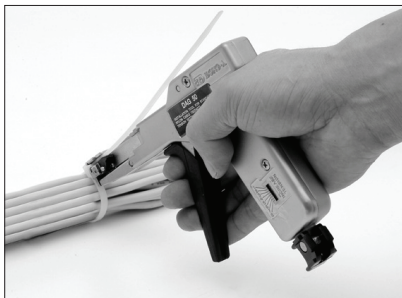


Part No
PMST 152-3.6(1.2)
PMST 152-4.8

- Increases circuit safety, routing wires above hot components
- Unique design combines a standoff and wire tie in one, replacing cumbersome two piece part applications
- Self mounting
- Features a barbed arrow tip for permanent mounting of wire bundles at any angle
- Material : Nylon 6/6
- Color : Natural or Black



## ● DAG-50



- Use DAG-50 to install Cable Ties with tensile loop strength from 8.1kg(18 lbs) to 22.2kg(50 lbs) or Strap widths of 2.3mm(.09") to 4.8mm(.19").
- Color Identification  
Trigger Handle & Selector Knob : Black

Model/Type No.	Width mm(inch)	Tensile Strength kg(lb)	Tension Select Knob settings
DACT 80-2.4~DACT200-2.4	2.4mm(.098")	8.1kg(18.0 lbs)	MIN. 1 ~ 3
DACT140-3.6~DACT370-3.6	3.6mm(.14")	17.8kg(40.0 lbs)	INT. 4 ~ 5
DACT120-4.8~DACT370-4.8	4.8mm(.19")	22.2kg(50.0 lbs)	STD. 6 ~ 8

## ● DAG-250



- Use DAG-250 to install Cable Ties with tensile loop strength from 45.4kg(100 lbs) to 113.4kg(250 lbs) or Strap widths of 6.3mm(.24") to 12.7mm(.50").
- Color Identification  
Trigger Handle & Selector Knob : Red

Model/Type No.	Width mm(inch)	Tensile Strength kg(lb)	Tension Select Knob settings
DAMCT270-6.1	6.1mm~7.6mm	45.4kg~53.4kg	STD. 1~4
DAMCT450-9.0~DAMCT780-12.7	9.0mm~12.7mm	77.8kg~113.4kg	HVY. 5~8

How to set Tension Select Knob(DAG-50 & DAG-250)

- Simply flip knob to proper "Select knob" as described above charts
- To increase tension settings, Turn the knob located on the bottom of the tool  
- tension settings are adjusted by turning the knob clockwise and counterwise