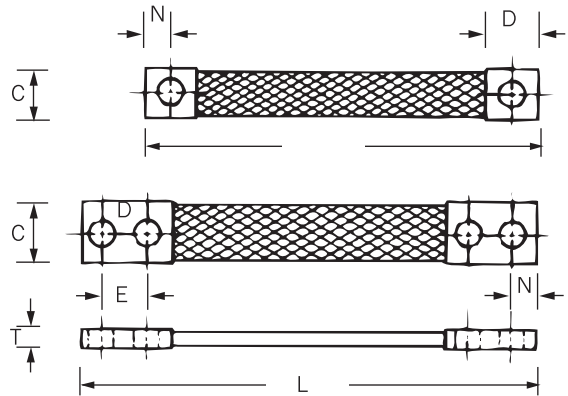
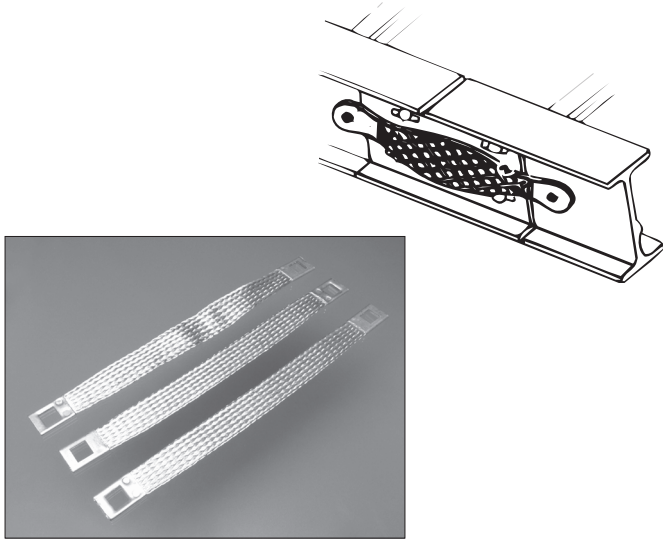


BONDING JUMPERS

BONDING JUMPERS



Seamless tinned copper ferrules are formed on each of flexible flat tinned braid to form extra flexible connectors. These connectors are used whenever vibration, expansion & contraction and freedom of movement are encountered.

Wire Range		Ampere Rating Indoors	Part No.	Dimension (mm)						
AWG	mm ²			L	C	T	E	N	D	H
1	50	50	PPESB0301	300/ 350	12.0	1.6	-	4.8	16.0	5.0
4/0	100	100	PPESB0302		12.7	2.4	-	9.5	19.2	6.7
	150	150	PPESB0303			3.2	-			
	190	190	PPESB0304		25.4			31.8	16.0	63.5
	340	340	PPESB0305		31.8					
	360	360	PPESB0306		38.0	6.4				
	415	415	PPESB0307							
	530	530	PPESB0308		41.4		25.0	12.5	50.0	9.5
	600	600	PPESB0309		35.0	9.6				
	700	700	PPESB0310				12.7			
	820	820	PPESB0311		40.0		16.0			
	960	960	PPESB0312				20.4			
	1200	1200	PPESB0313		44.6	25.4	38.0	19.5	76.2	

BONDING JUMPER FEATURES

1 The state of being vibrated.

2 Easy Connection regardless of wire lengths.

3 Protection of connection from snapping and absorbing impact.