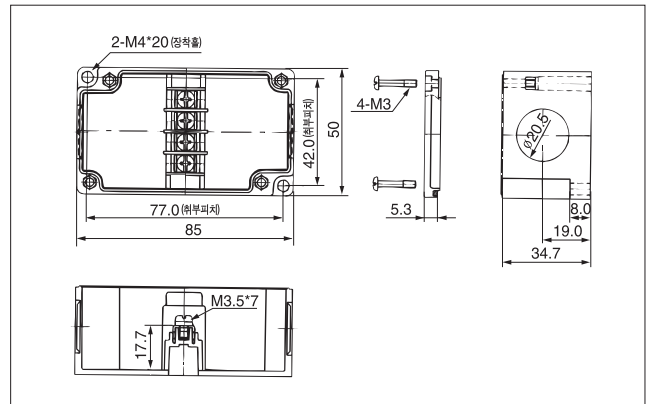
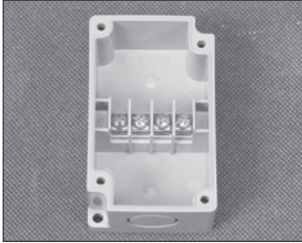


# JOINT BOX

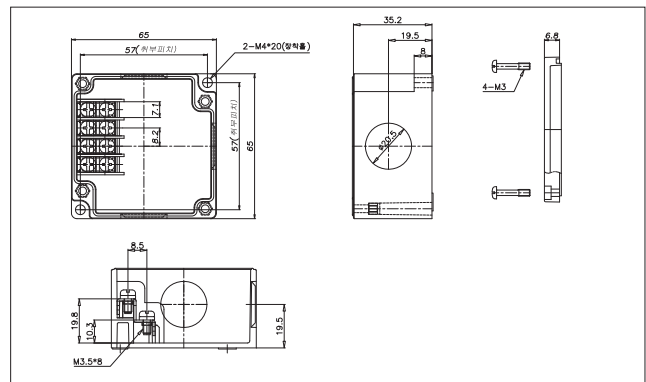
## ● DATB-4P(IP66)

- Voltage & Current Rating : AC.DC 300V 15A
- Dielectric withstand : AC2000V / 1 min.,
- Suitable Cable : 1.25mm<sup>2</sup> / 1.5mm<sup>2</sup>
- Suitable terminal : M3 × 8
- Box Material : PBT+30% or ABS



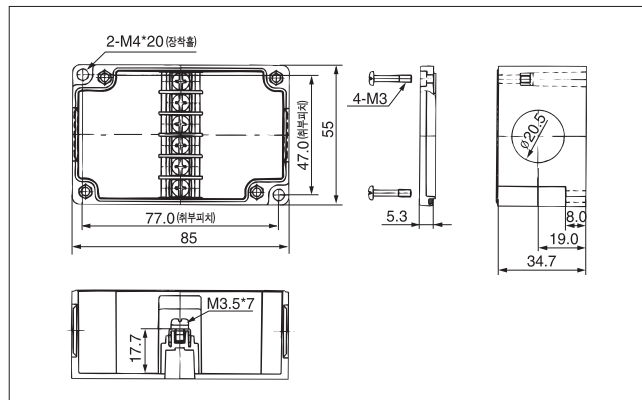
## ● DATB-4P-T(IP66)

- Voltage & Current Rating : AC.DC 300V 15A
- Dielectric withstand : AC2000V / 1 min.,
- Suitable Cable : 1.25mm<sup>2</sup> / 1.5mm<sup>2</sup>
- Suitable terminal : M3 × 8
- Box Material : PBT+30% or ABS



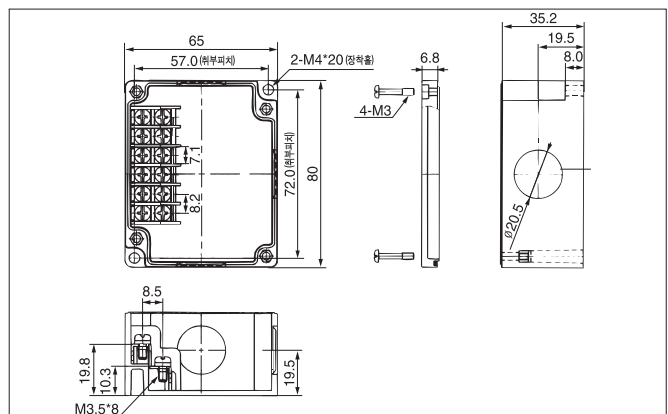
## ● DATB-6P(IP66)

- Voltage & Current Rating : AC.DC 300V 15A
- Dielectric withstand : AC2000V / 1 min.,
- Suitable Cable : 1.25mm<sup>2</sup> / 1.5mm<sup>2</sup>
- Suitable terminal : M3 × 8
- Box Material : PBT+30% or ABS



## ● DATB-6P-T(IP66)

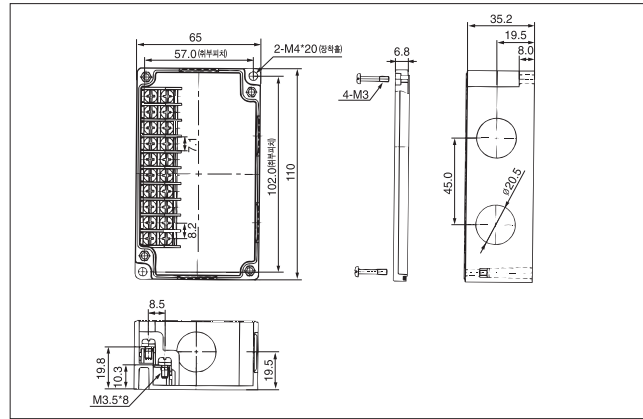
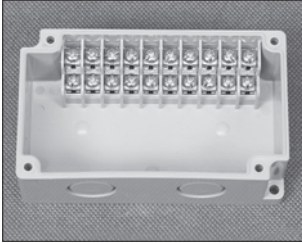
- Voltage & Current Rating : AC.DC 300V 15A
- Dielectric withstand : AC2000V / 1 min.,
- Suitable Cable : 1.25mm<sup>2</sup> / 1.5mm<sup>2</sup>
- Suitable terminal : M3 × 8
- Box Material : PBT+30% or ABS



# JOINT BOX

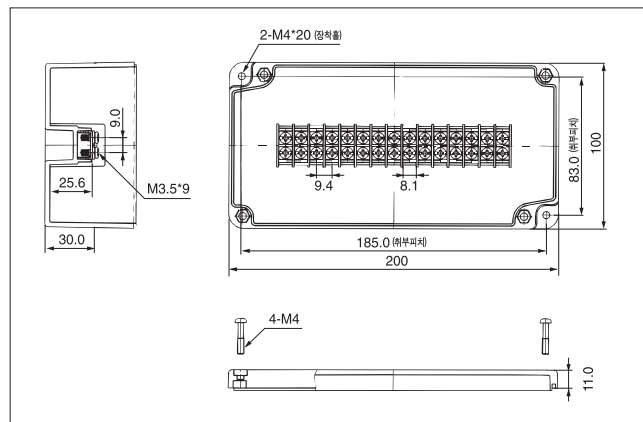
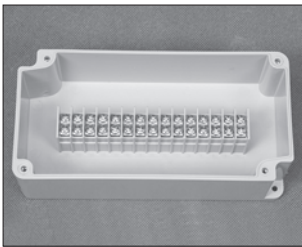
## DATB-10P-T(IP66)

- Voltage & Current Rating : AC.DC 300V 15A
- Dielectric withstand : AC2000V / 1 min.,
- Suitable Cable : 2.0mm<sup>2</sup>
- Suitable terminal : M3.5 × 8
- Box Material : PBT+30% or ABS



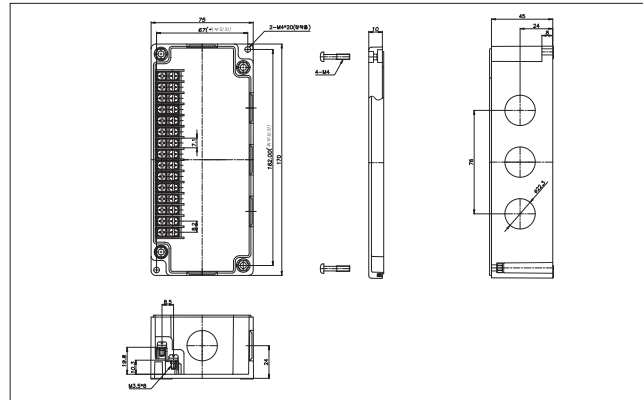
## DATB-15P(IP66)

- Voltage & Current Rating : AC.DC 300V 15A
- Dielectric withstand : AC2000V / 1 min.,
- Suitable Cable : 2.0mm<sup>2</sup>
- Suitable terminal : M3.5 × 8
- Box Material : PBT+30% or ABS



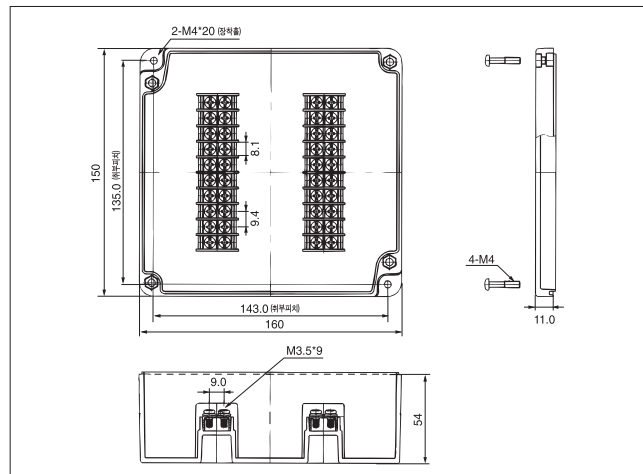
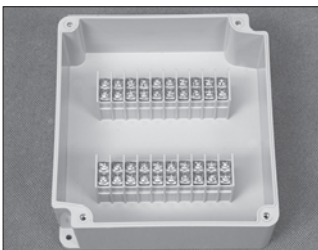
## DATB-15P-T(IP66)

- Voltage & Current Rating : AC.DC 300V 15A
- Dielectric withstand : AC2000V / 1 min.,
- Suitable Cable : 2.0mm<sup>2</sup>
- Suitable terminal : M3.5 × 8
- Box Material : PBT+30% or ABS



## DATB-20P(IP66)

- Voltage & Current Rating : AC.DC 300V 15A
- Dielectric withstand : AC2000V / 1 min.,
- Suitable Cable : 2.0mm<sup>2</sup>
- Suitable terminal : M3.5 × 8
- Box Material : PBT+30% or ABS



# JUNCTION BOX

## ● Technical Data

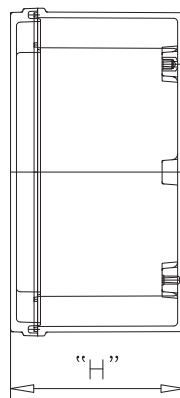
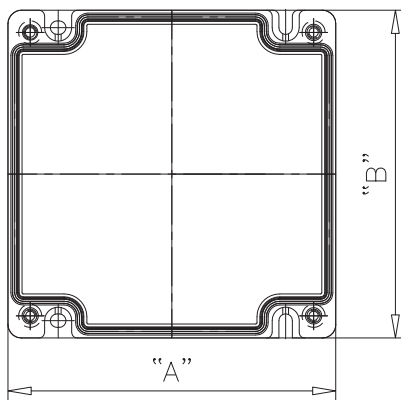
Explosion Protection

- CENELEC
- IEC



Zone 1, Zone 2, Zone 21 and Zone 22.  
ATEX & IECEx Class 1, Division 2  
II 2 G Ex 'e' & Ex 'ia' II T6  
II 2 D IP66 T80 °C, T100 °C

Application for indoor and outdoor, industrial and Hazardous area.  
Rated voltage max. 1100V AC/DC, depending on terminal used.  
Temperature Rating : -60°C ~ +80°C  
Gasket : Neoprene or Silicone  
Material : Glass Fibre-Reinforced Polyester Resin  
Fitting Terminals and Cable Entry Mounting Hole shall be ordered.



PART NO	Dimensions (mm)		
	A	B	H
DJBG-80A	80	80	55
DJBG-80B	110	80	55
DJBG-80C	160	80	55
DJBG-80D	190	80	55
DJBG-80E	230	80	55
DJBG-112.5A	112.5	112.5	90
DJBG-112.5B	170	112.5	90
DJBG-160A-1	160	160	90
DJBG-160A-2	160	160	131
DJBG-160B-1	260	160	90
DJBG-160B-2	260	160	131
DJBG-200A-1	200	200	90
DJBG-200A-2	200	200	131

PART NO	Dimensions (mm)		
	A	B	H
DJBG-250A-1	250	250	90
DJBG-250A-2	250	250	131
DJBG-160C-1	360	160	90
DJBG-160C-2	360	160	131
DJBG-160D-1	560	160	90
DJBG-160D-2	560	160	131
DJBG-250B-1	400	250	90
DJBG-250B-2	400	250	131
DJBG-250C-1	600	250	90
DJBG-250C-2	600	250	131
DJBG-340A-1	340	340	90
DJBG-340A-2	340	340	131
DJBG-400A-1	400	400	120
DJBG-400B-2	400	400	160